

# 5までのかず

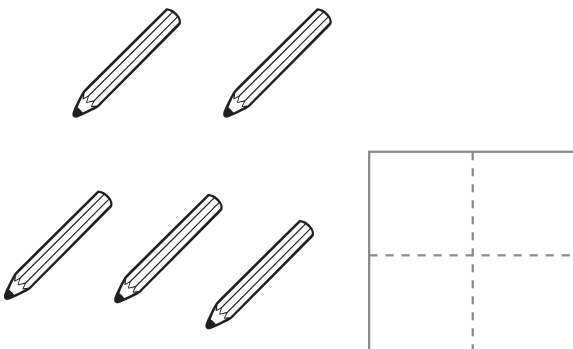
かずをすうじでかこう

が につ 月      に ち 日      し 時      ふ ん 分 ~      し 時      ふ ん 分

なまえ

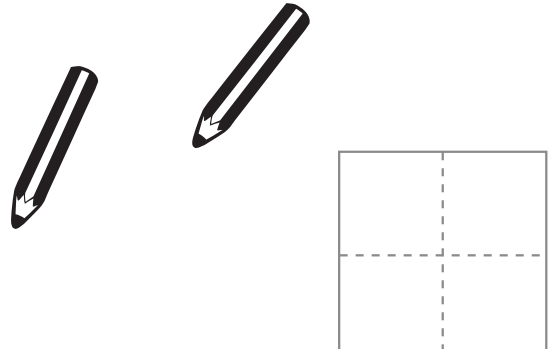
もんだいにある「え」をかぞえて、すうじをかきましょう

**1**



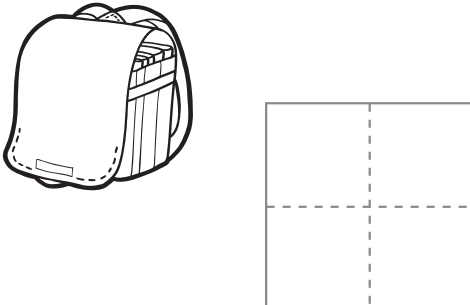
Five pencils are shown in a 2x2 grid. The top row has two pencils, and the bottom row has three pencils. To the right of the pencils is a square divided into four quadrants by a vertical and a horizontal dashed line.

**2**



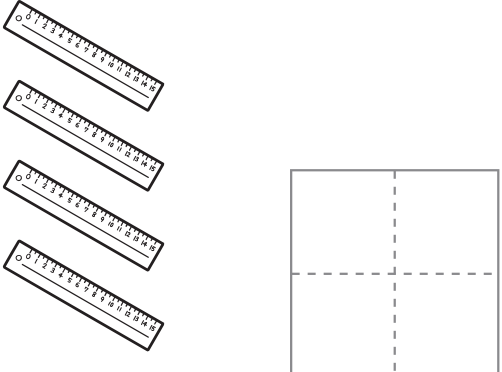
Two pencils are shown in a 2x2 grid. The top row has one pencil, and the bottom row has one pencil. To the right of the pencils is a square divided into four quadrants by a vertical and a horizontal dashed line.

**3**



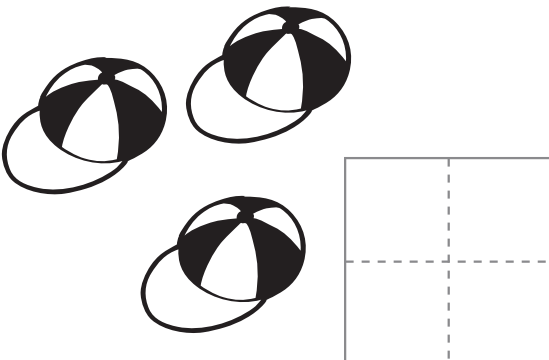
One backpack is shown in a 2x2 grid. To the right of the backpack is a square divided into four quadrants by a vertical and a horizontal dashed line.

**4**



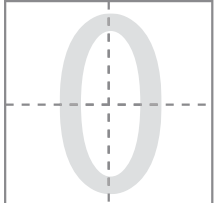
Four rulers are shown in a 2x2 grid. The top row has two rulers, and the bottom row has two rulers. To the right of the rulers is a square divided into four quadrants by a vertical and a horizontal dashed line.

**5**



Three beach balls are shown in a 2x2 grid. The top row has two beach balls, and the bottom row has one beach ball. To the right of the beach balls is a square divided into four quadrants by a vertical and a horizontal dashed line.

**6**



A large number 0 is shown in a 2x2 grid. To the right of the number 0 is a square divided into four quadrants by a vertical and a horizontal dashed line.

# 5までのかず

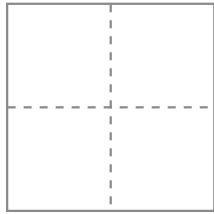
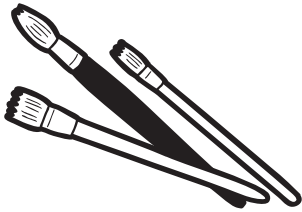
かずをすうじでかこう

が 月      に 日      し 時      ふ 分 ~      し 時      ふ 分

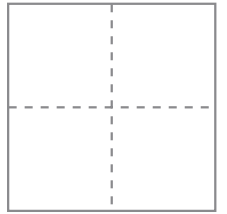
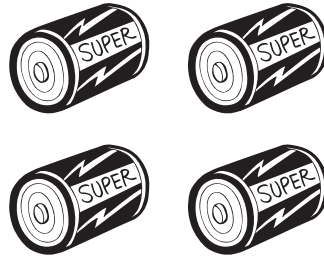
なまえ

もんだいにある「え」をかぞえて、すうじをかきましょう

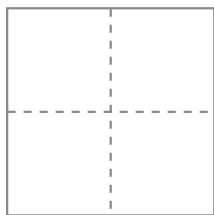
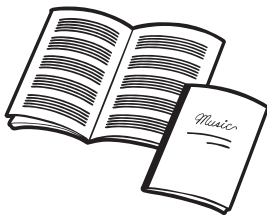
1



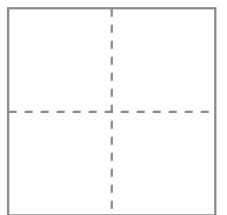
2



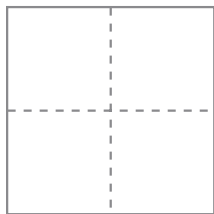
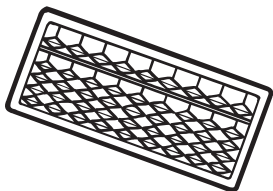
3



4



5



6

